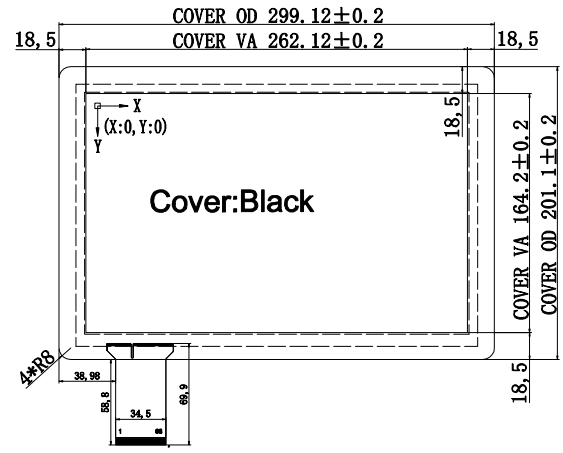
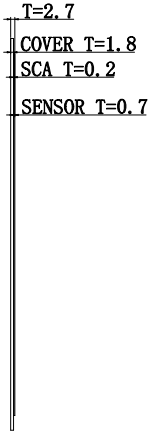


Rev.	Revision Record	制作	日期

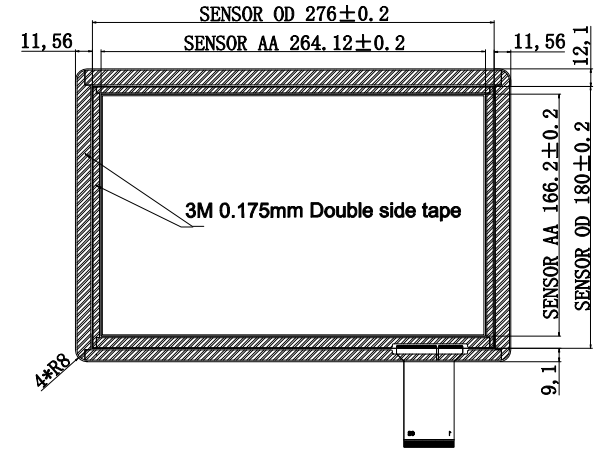
Front View



Side View

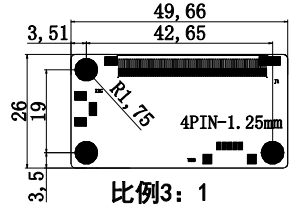


Rear View



Parameters:

1. TP structure: G+G
2. Touch controller IC: ILI2511,68P HA2511P. P2.C2, Working volt.:5V
3. Transparence rate > 85%
4. Surface Hardness > 6H
5. Working volt.: -20 to 70 degree, ≤85%RH
6. Storage temp.: -20 to 70 degree, ≤85%RH
7. ROHS compliance
8. unmarked tolerance±0.5mm



J1 (USB)	
PIN	Interface
1	VDD/5V
2	D-
3	D+
4	GND

J2 (I2C)	
PIN	Interface
1	VDD3.3
2	SDA
3	SCL
4	INT
5	RST
6	GND

MAXEN ELECTRONICS LIMITED

TITLE: 产品编号	HCT121002H-AAA				
Designed By: 设计	Y	Customerid: 客户编号		View: 投影方式	
Checked By: 审核		Unit: 单位	mm	Scale: 比例	1:1
Approved By:		Date: 日期	2021.5.24		