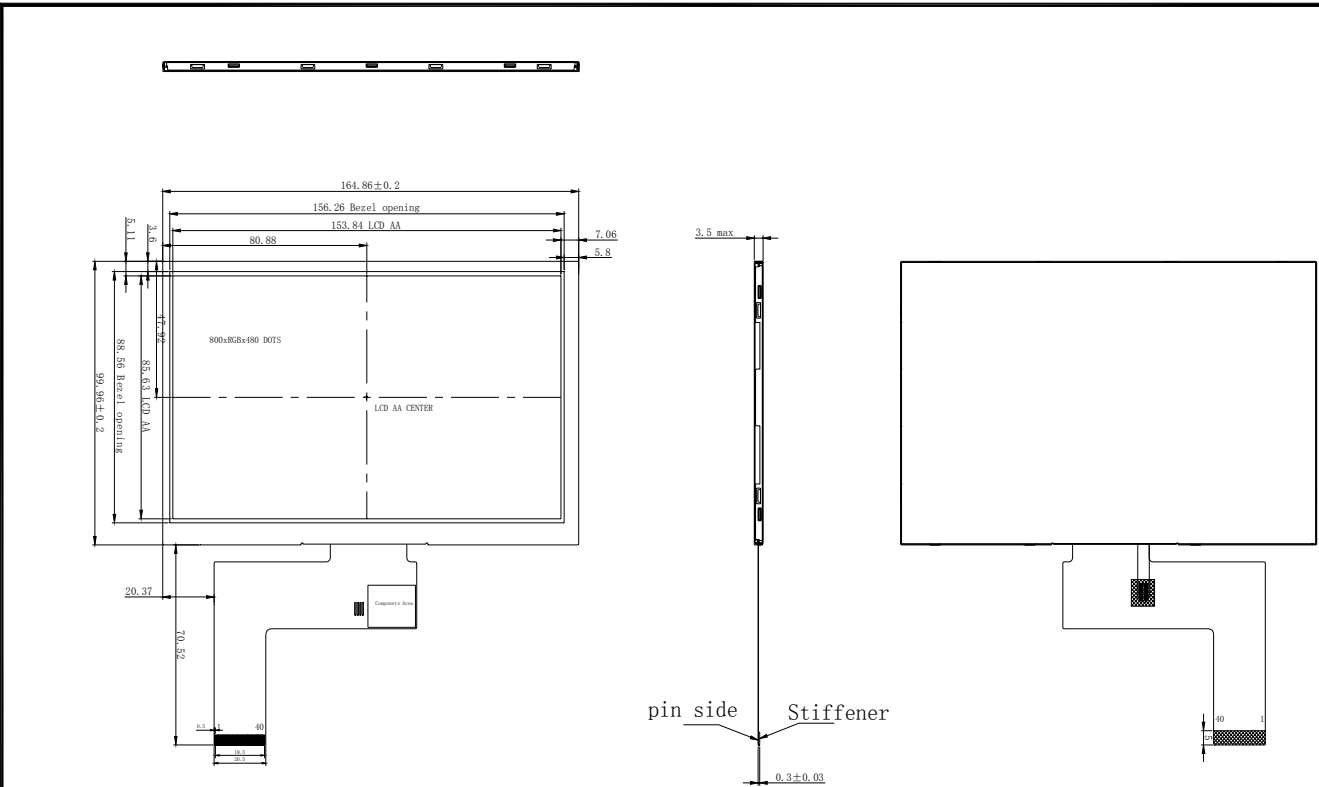
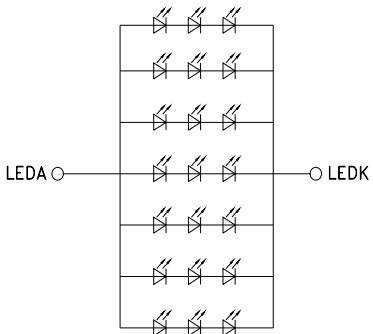


NO.	Pin name	NO.	Pin name
1	LED K	33	VSYNC
2	LED A	34	DE
3	GND	35	NC
4	VDD	36	GND
5	R0	37	XR
6	R1	38	YD
7	R2	39	XL
8	R3	40	YU
9	R4		
10	R5		
11	R6		
12	R7		
13	G0		
14	G1		
15	G2		
16	G3		
17	G4		
18	G5		
19	G6		
20	G7		
21	B0		
22	B1		
23	B2		
24	B3		
25	B4		
26	B5		
27	B6		
28	B7		
29	GND		
30	DCLK		
31	DISP		
32	HSYNC		

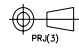


LED CIRCUIT DIAGRAM:



\* Unspecified Tolerances is: ±0.2

Note:	
LCD TYPE	7 inch TFT Transmissive
DISPLAY MODE	Normally white
VIEW DIRECTION	6 O'clock
OPERATING TEMP.	-20° C ~ 70° C
STORAGE TEMP.	-30° C ~ 80° C
BACK LIGHT	21 White leds
BL voltage/current	9.6V / 140mA
ALL MATERIALS MUST BE ROHS COMPLIAN	

UNIT: mm	SCALE:NO SCALE	SIZE: A4		<b>MAXEN ELECTRONICS LIMITED</b>	
GENERAL TOLERANCE: ±0.2		Angle=1°		MODULE DRAWING	
DESIGNED: CZS	Date: 2015-12-12	PART NAME	PROJECT NO. <b>MX-070WR40BWS-N163</b>		
CHECKED:	Date:	PROJECT NO.	SHEET: 1/1		REV: A
APPROVED:	Date:	PART NO.			