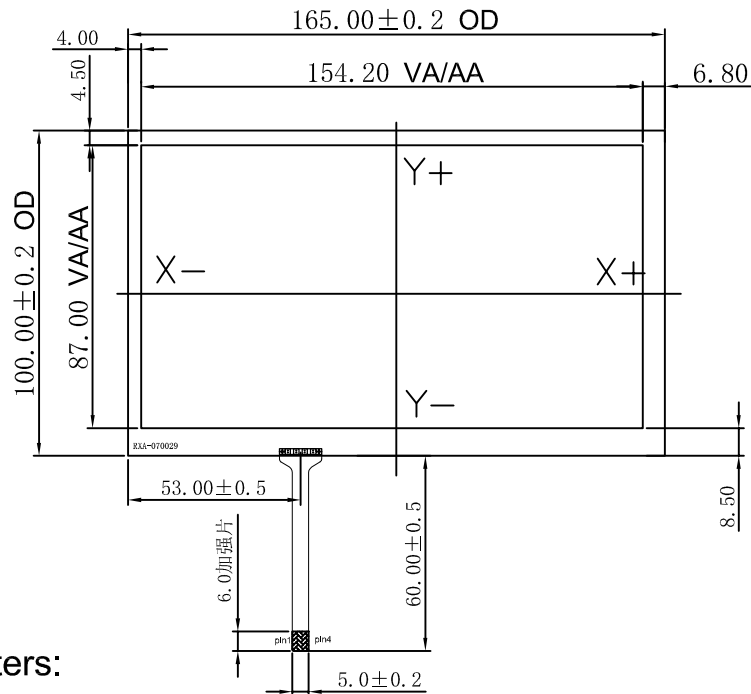


MAXEN ELECTRONICS LIMITED					
TITLE:	ASSEMBLY	DO NOT SCALE THIS DRAWING, GENERAL TOLERANCE: ±0.2			
MODULE NO.:	MX-H70HL40-IS311K	REV	A		
DRAWN BY:		DATE:		PROJECTION:	
CHECKED BY:		DATE:		SCALE:N. T. S	UNIT: mm
APPROVED BY:		DATE:		SHEET: 1 OF 1	

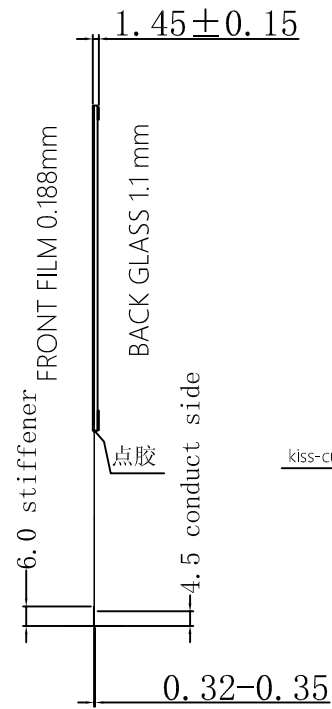


REV.	DESCRIPTION	DATE

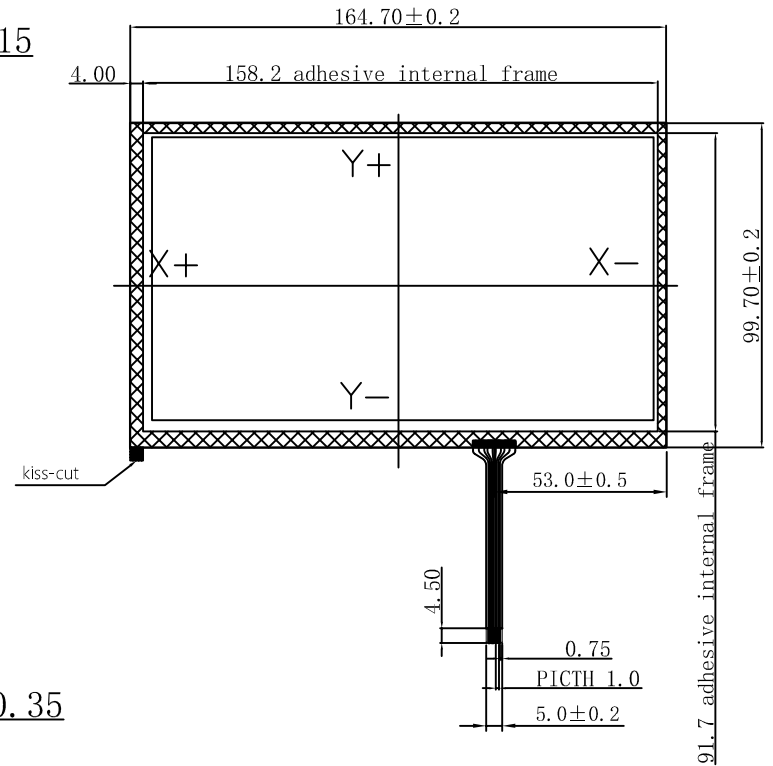
Rear View



Side View

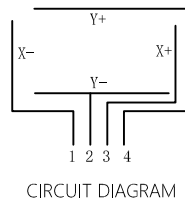


Back View



Parameters:

- Structure: film+glass+tail
 film : Matte, anti-newton ring and scratch(0.188mm)
 glass : 500Ω/□ normal 1.1mm
 tail : FPC (pitch1.0)
 Total thickness 1.45±0.15mm
- Voltage/current : DC5V 1mA
- resistance : ≥20MΩ(25V DC)
- Linearity : ≤1.5%
- Transparency rate : ≥78%
- Operation voltage : 50-120g
- Life time : ≥1,000,000次
- Stroking life : ≥100,000次
- Working temp.: -10°C~+60°C
- Storage temp. : -20°C~+70°C
- X:200-900Ω Y:200-900Ω.
- unmarked tolerance±0.50



PIN	OUT
1	X-
2	Y-
3	X+
4	Y+

SCALE: 1 : 1 NOT TO SCALE		MAXEN ELECTRONICS LIMITED	
PAGE: 1 OF 1		HCT-070029-06	
GENERAL TOL. 0.50mm	UNITS MM	MODEL NUMBER :	Product NO :
APPROVALS	DATE	HCT-070029-06	DATE:
APP: MYchan	2014/03/10		2014/03/10
CHK: Amor11	2014/03/10		Amor11