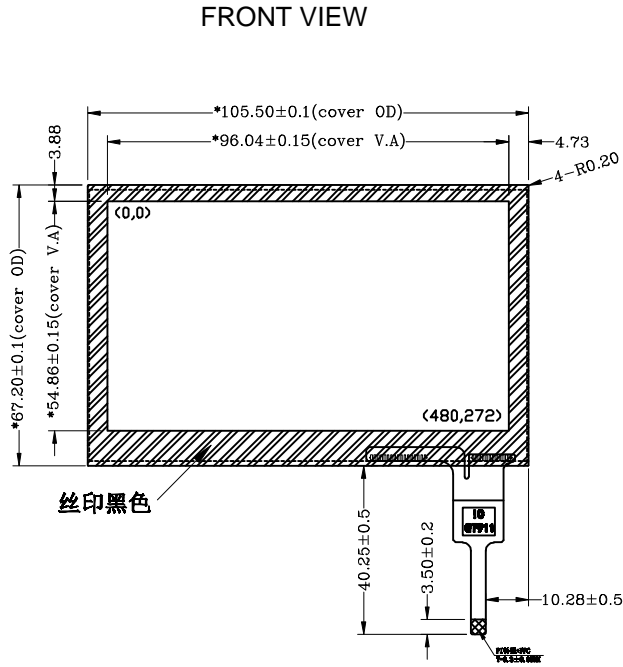
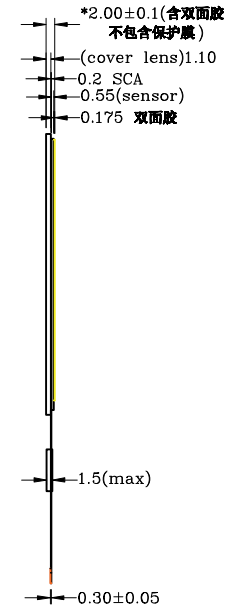


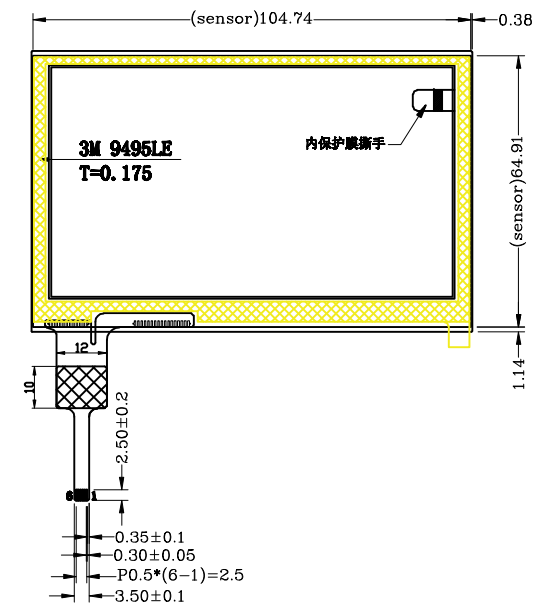
Rev	Nature of Modification	DATE
01	初版	2018/03/05



SIDE VIEW



BACK VIEW



Technical Parameters:

1. Structure: Cover glass + sensor glass+FPC
2. Controller IC: GT911
3. Working volt.:2.8V-3.3V
4. Transparency Rate > 80%
5. Surface hardness: 6H
6. Working temp.: -20 to 70 degree
7. Storage temp.: -30 to 80 degree
8. Unmarked tolerance 0.2mm
9. ROHS compliance materials

CTP PIN 定义

1	RST
2	VDD
3	GND
4	INT
5	SCL
6	SDA



SCALE: 1 : 1 NOT TO SCALE		MAXEN ELECTRONICS LIMITED	
PAGE: 1 OF 1			
GENERAL TOL. 0.50mm	UNITS MM		
APPROVALS	DATE	MODEL NUMBER : GG043061C-01	
APP:			CUSTOMER NO.:
CHK:			DATE: 2018-03-05
DWN: MHY			