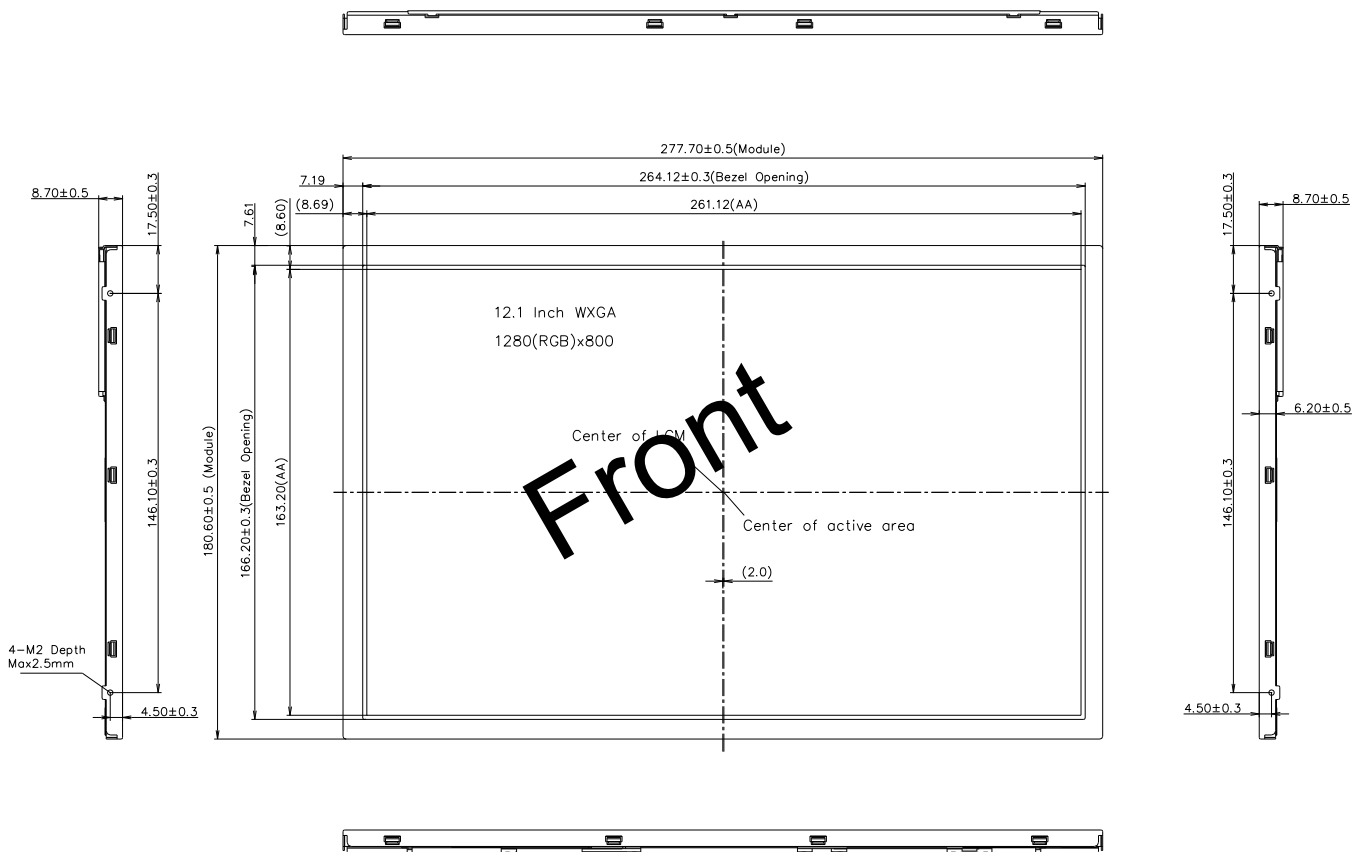


MAXEN ELECTRONICS LIMITED

Email: melody.xia@maxen-lcddisplay.com Http://www.maxen-lcddisplay.com

1.0 MECHANICAL OUTLINE DIMENSION

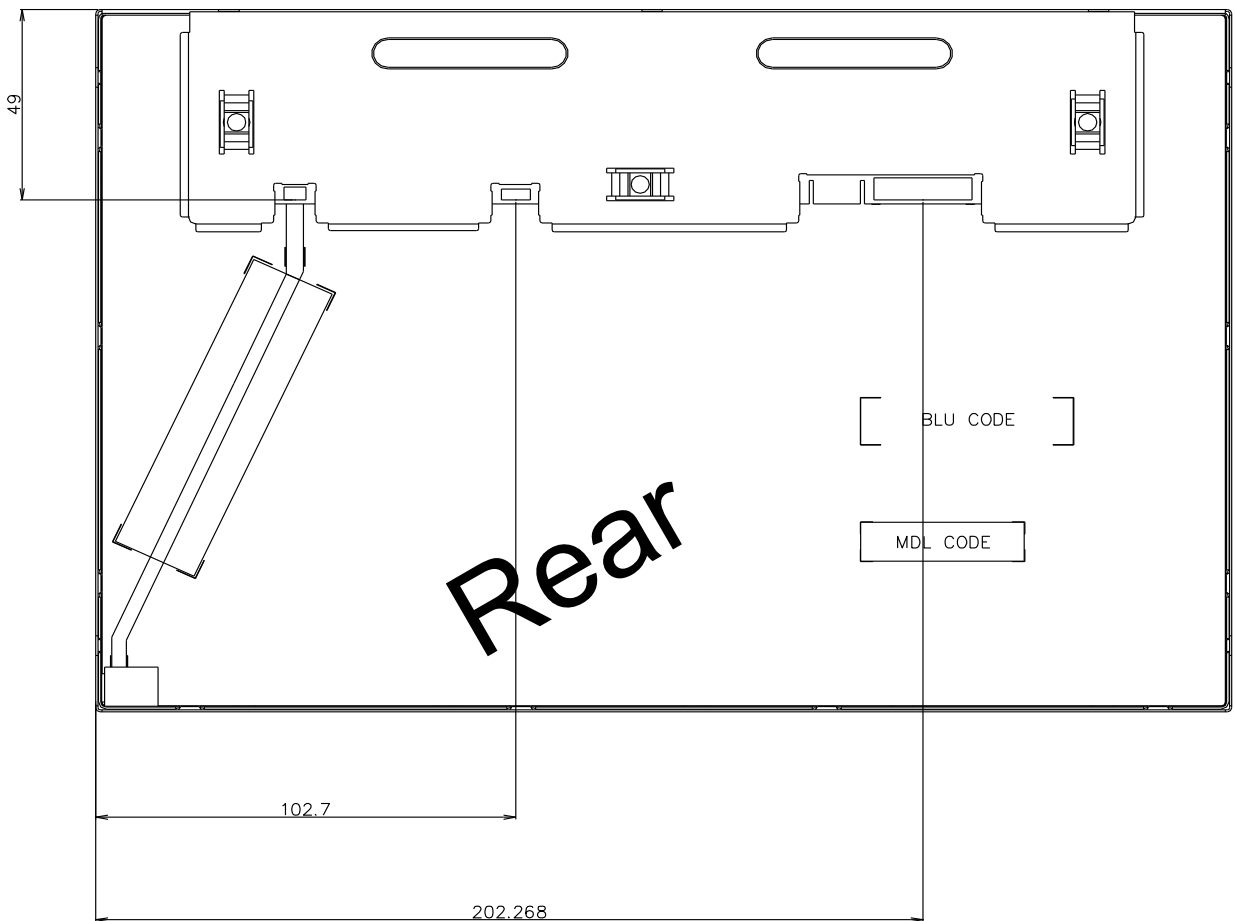
Figure 1 TFT-LCD Module Outline Dimension (Front View)



MAXEN ELECTRONICS LIMITED

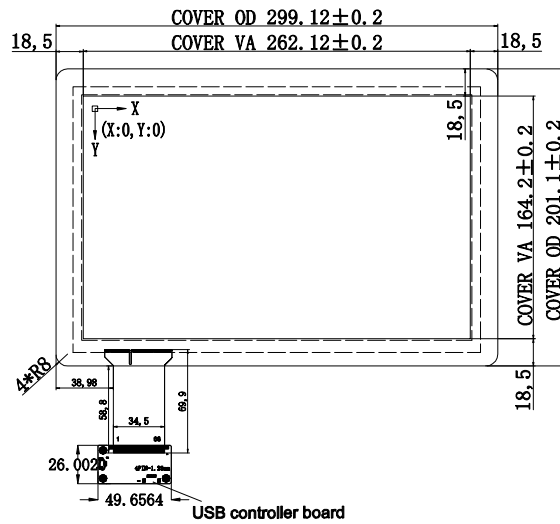
Email: melody.xia@maxen-lcddisplay.com Http://www.maxen-lcddisplay.com

Figure 2 TFT-LCD Module Outline Dimension (Rear View)

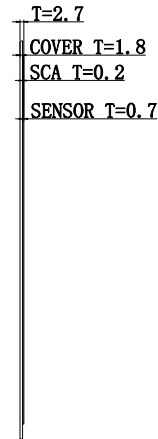


Rev.	Revision Record	制作	日期
A0	First release	Y	2019-05-30

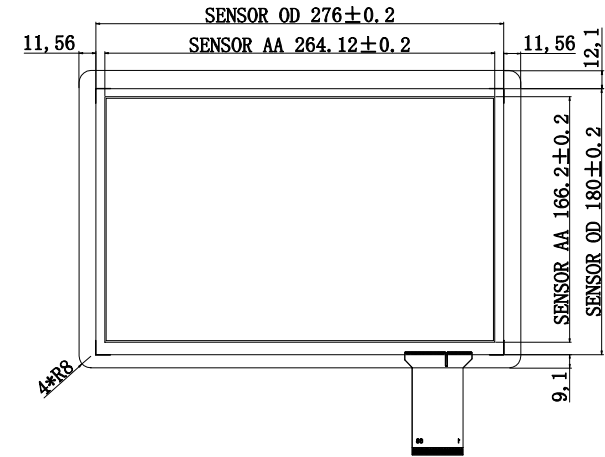
Front View



Side View



Back View



Parameters:

1. Structure: G+G
2. Type: COB, IC: ILI2511, 41x23
working volt.: 5V
3. Transparency rate > 85%
4. Surface hardness > 6H
5. Working temp.: -20 to 70 degree, < 85%RH
6. Storage temp.: -20 to 70 degree, < 85%RH
7. Unmarked tolerance: +/- 0.5mm
8. ROHS compliance

J1 (USB)	
PIN	Interface
1	VDD/5V
2	D-
3	D+
4	GND

J2 (I2C)	
PIN	Interface
1	RST
2	VDD
3	GND
4	INT
5	SDA 3.3V
6	SCL 3.3V

MAXEN ELECTRONICS LIMITED

TITLE: 产品编号	HCT121002H-AAA				
Designed By: 设计	Y	Customerid: 客户编号		View: 投影方式	
Checked By: 审核		Unit: 单位	mm	Scale: 比例	1:1
Approved By:		Date: 日期	2019.05.30		