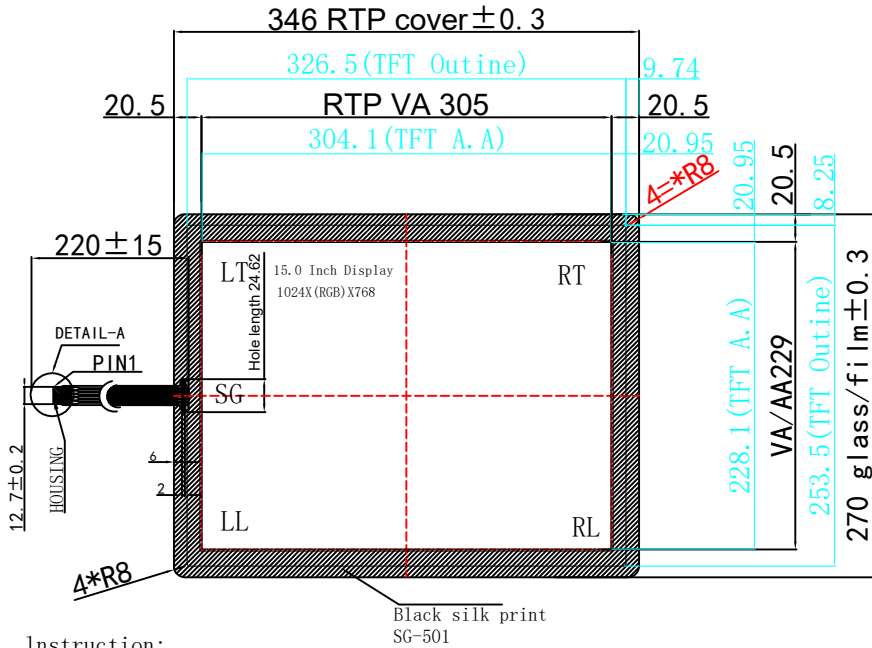


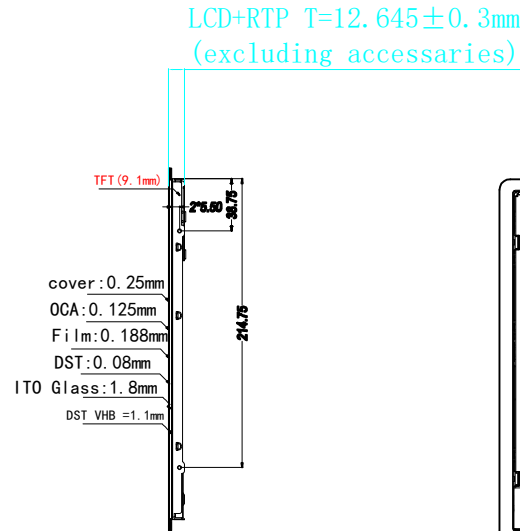
E	F	G	
标记 (mark)	修改内容 (revised contents)	签名 (signature)	日期 (Date)
A版			20170408

CONNECTOR PINOUT	
PIN NO.	DESIGNATION
1	RT
2	LT
3	SG
4	LL
5	RL

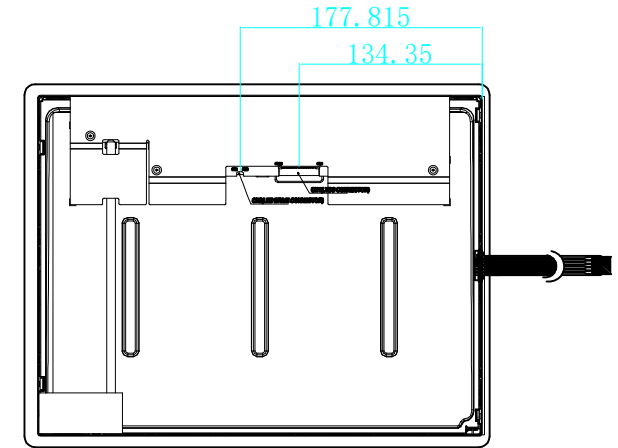
Front View



Side View

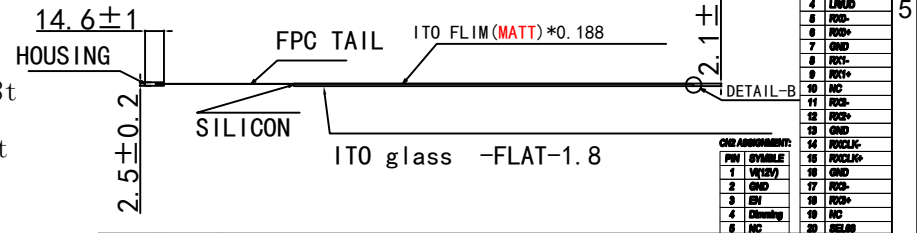
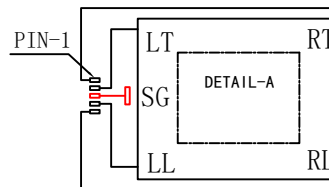
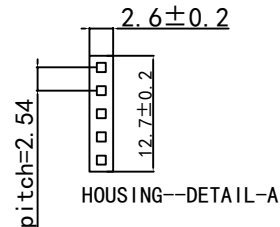
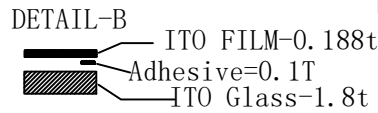


Back View



Instruction:

1. Type: Film to Glass +
2. Operating Voltage: 3~7V
3. Response Time: ≤15ms
4. Storage Temperature: -20°C~+50°C/20%~80%
5. Operation Temperature/Humidity: -10°C~+50°C/20%~80%
6. Hitting Life: >10,000,000 Times, 100gf Force
7. Writting Life >100,000 Times, 100gf Force
8. Connect Material: FPC
9. Film Thickness: 0.188mm
10. Glass Thickness: 1.8mm
11. Light Transmission: ≥78%
12. Force: 100g or less
13. Linearity: ≤2.5%
14. Insulation: ≥20MΩ
15. Surface Hardness ≥3H (pencil)
16. Unmarked tolerance as ±0.5



CH1 ASSIGNMENT:

PIN	SYMBOL
1	VCC
2	VCC
3	NC
4	LVDD
5	POD+
6	POD+
7	GN
8	POD+
9	POD+
10	POD+
11	POD+
12	POD+
13	GN
14	PODLC+
15	PODLC+
16	GN
17	POD+
18	GN
19	NC
20	GN

RVE 版本	A	MAXEN ELECTRONICS LIMITED			
TITLE: 产品编号	MX-A15IL01-Q012				
Customerid: 客户编号		Designed By: 设计		View: 投影方式	
Unit: 单位	mm	Checked By: 审核		Scale: 比例	1:1
Date: 日期	20220728	Approved By: 批准			