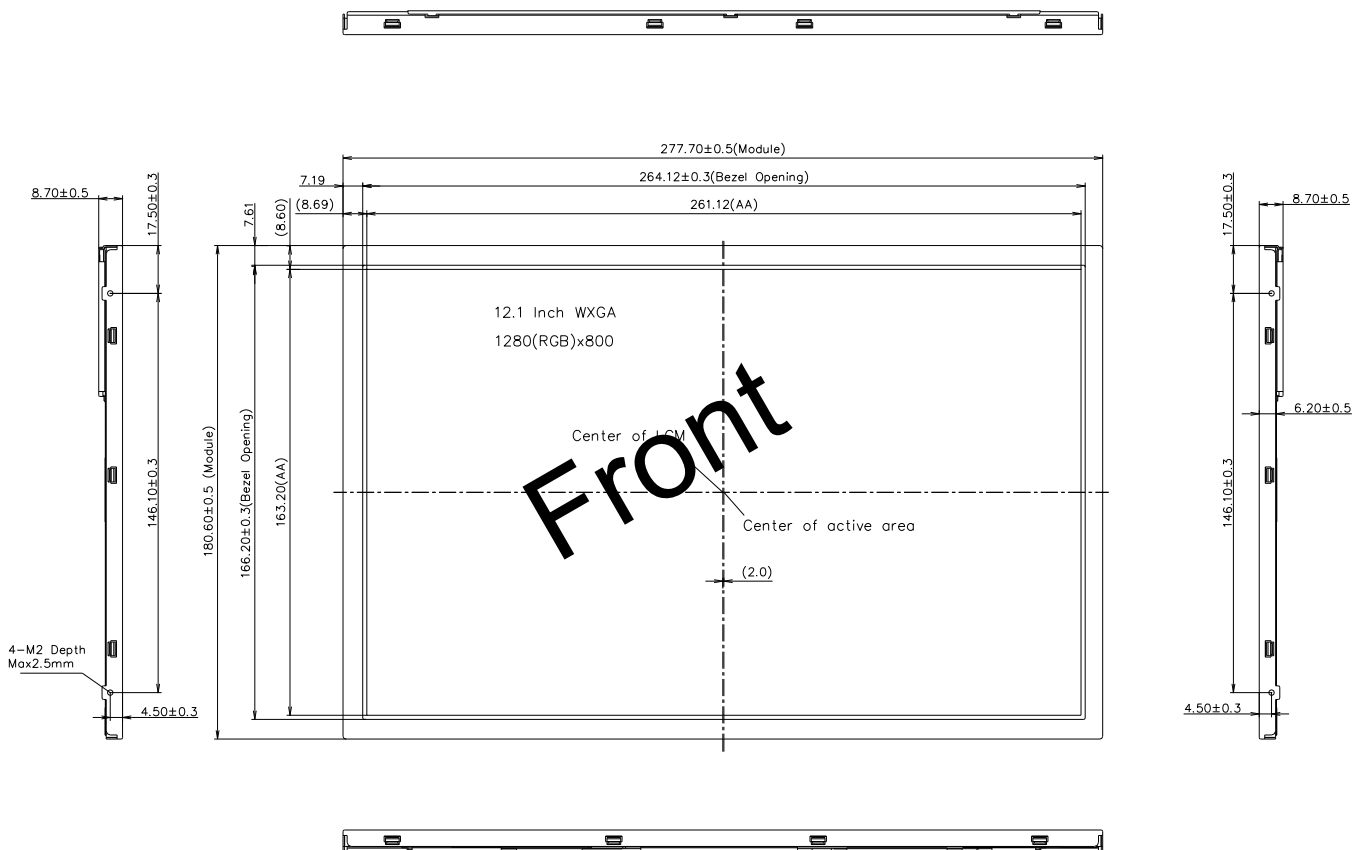


MAXEN ELECTRONICS LIMITED

Email: melody.xia@maxen-lcddisplay.com Http://www.maxen-lcddisplay.com

1. MECHANICAL OUTLINE DIMENSION

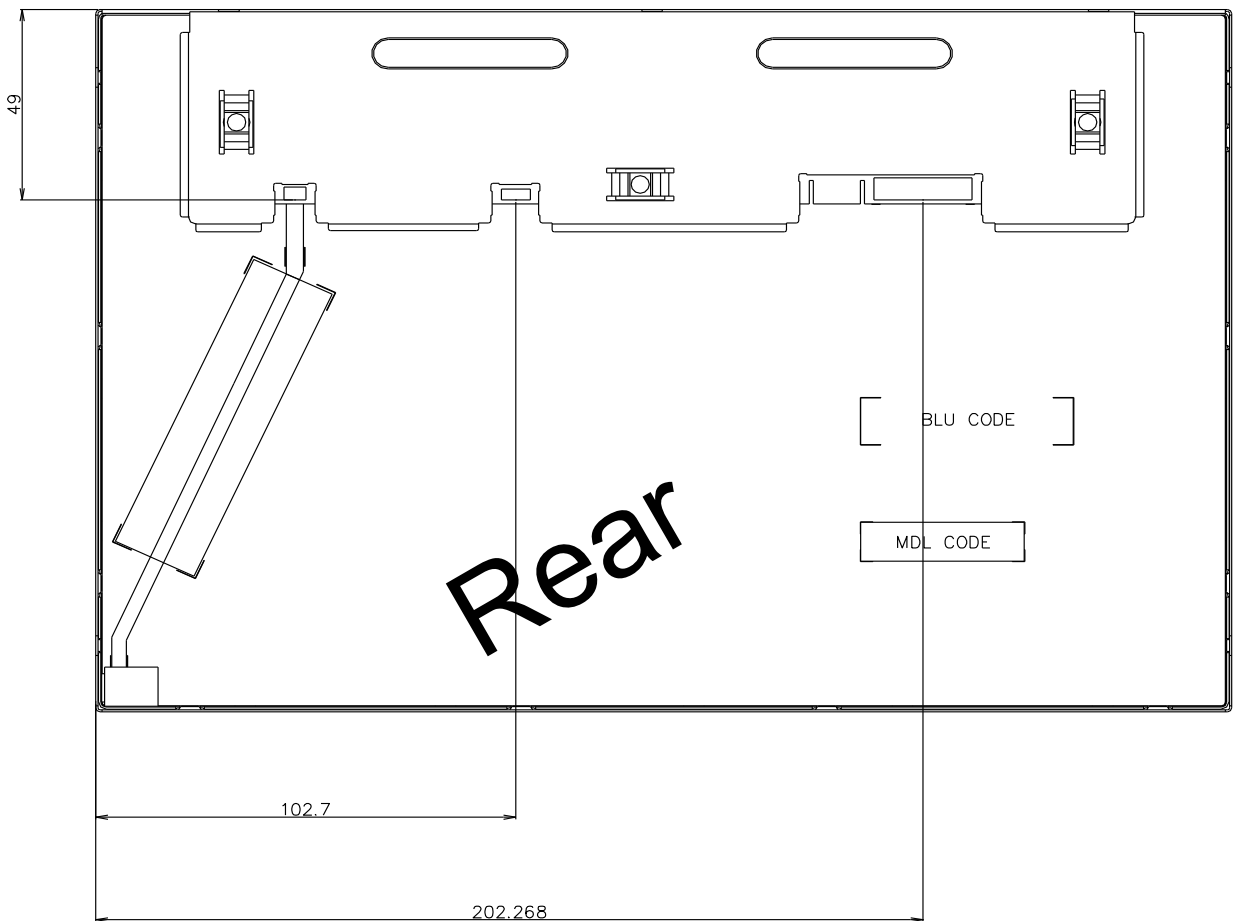
Figure 1 TFT-LCD Module Outline Dimension (Front View)



MAXEN ELECTRONICS LIMITED

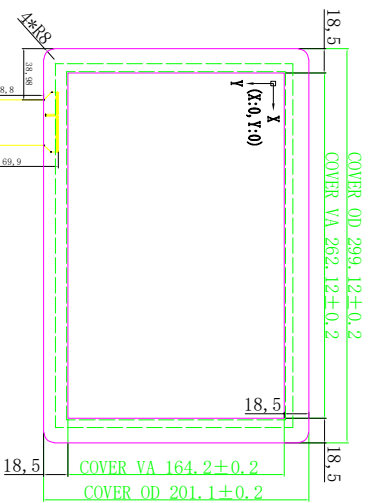
Email: melody.xia@maxen-lcddisplay.com Http://www.maxen-lcddisplay.com

Figure 2 TFT-LCD Module Outline Dimension (Rear View)



Rev.	Revision Record	制作	日期
A0	First release	Y	2019-05-30

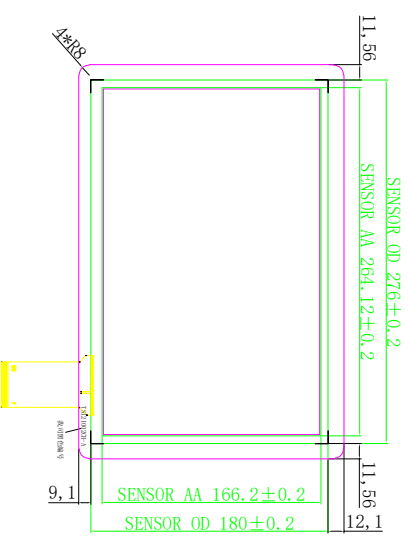
Front View



Side View



Back View



- Parameters:
1. Structure: G+G
 2. Type: COB, IC: EETI, 41x23
working volt.: 5V
 3. Transparency rate > 85%
 4. Surface hardness > 6H
 5. Working temp.: -20 to 70 degree, < 85%RH
 6. Storage temp.: -20 to 70 degree, < 85%RH
 7. Unmarked tolerance: +/- 0.5mm
 8. ROHS compliance

J1 (USB)		J2 (12C)	
PIN	Interface	PIN	Interface
1	VDD/5V	1	RST
2	D-	2	VDD
3	D+	3	GND
4	GND	4	INT
		5	SDA 3.3V
		6	SCL 3.3V

MAXEN ELECTRONICS LIMITED

TITLE:	HCT121002H-A00A	客户编号:		视图:	投影方式
产品编号:		设计:	Y	比例:	1:1
Designed By:		Unit:	mm		
Checked By:		Date:	2019.05.30		
审核:		日期:			
Approved By:					