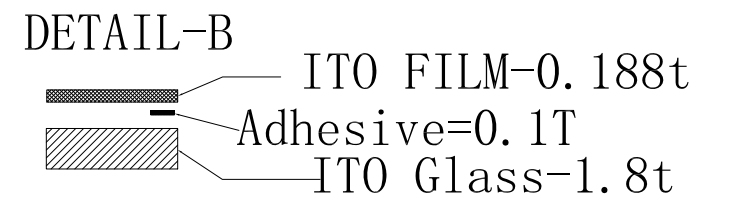
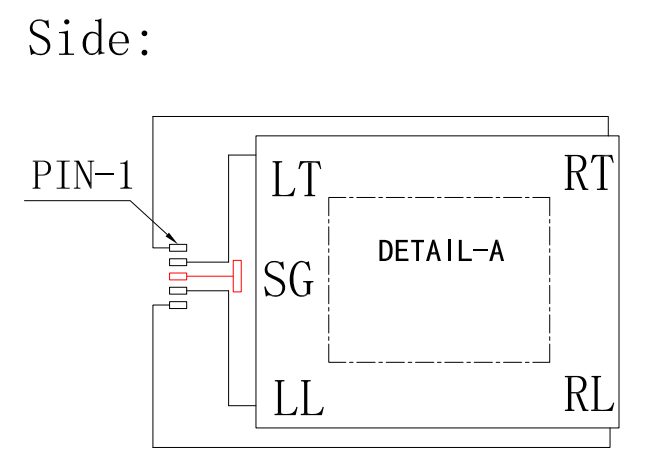
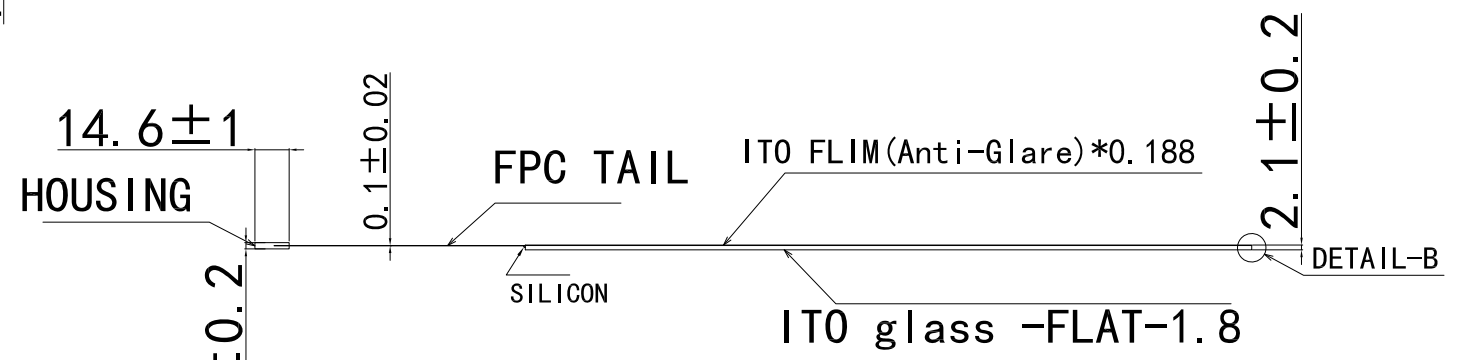
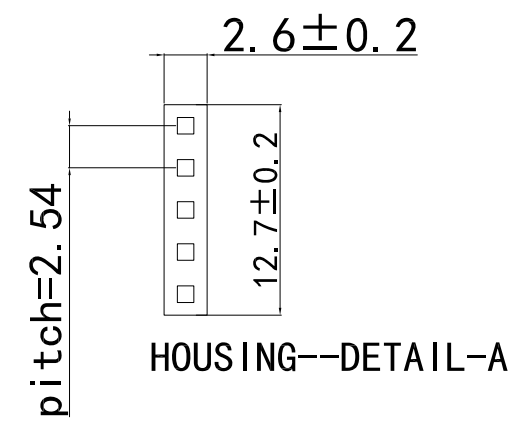


E	F	G
标记 (mark)	修改内容 (revised contents)	签名 (signature) 日期 (Date)
1		

CONNECTOR PINOUT	
PIN NO.	DESIGNATION
1	RT
2	LT
3	SG
4	LL
5	RL



- Instruction:
1. Type: Film to Glass + FPC
  2. Operating Voltage: 3~7V
  3. Response Time: ≤15ms
  4. Storage Temperature: -20°C~+50°C/20%~80%
  5. Operation Temperature/Humidity: -10°C~+50°C/20%~80%
  6. Hitting Life: >10,000,00 Times. 100gf Force
  7. Writing Life >1,000,00 Times 100gf Force
  8. Connect Material: FPC
  9. Film Thickness: 0.188mm
  10. Glass Thickness: 1.8mm
  11. Light Transmission: ≥78%
  12. Force: 100g or less
  13. Linearity: ≤2.5%
  14. Insulation: ≥20MΩ
  15. Surface Hardness ≥3H (pencil)
  16. Unmarked tolerance as ±0.5



A版	MAXEN ELECTRONICS LIMITED			
TITLE: 产品编号	HCT190A5B003-A			
Customerid: 客户编号		Designed By: 设计		View: 投影方式
Unit: 单位	mm	Checked By: 审核		
Date: 日期	20150702	Approved By: 批准		Scale: 比例
				1:1