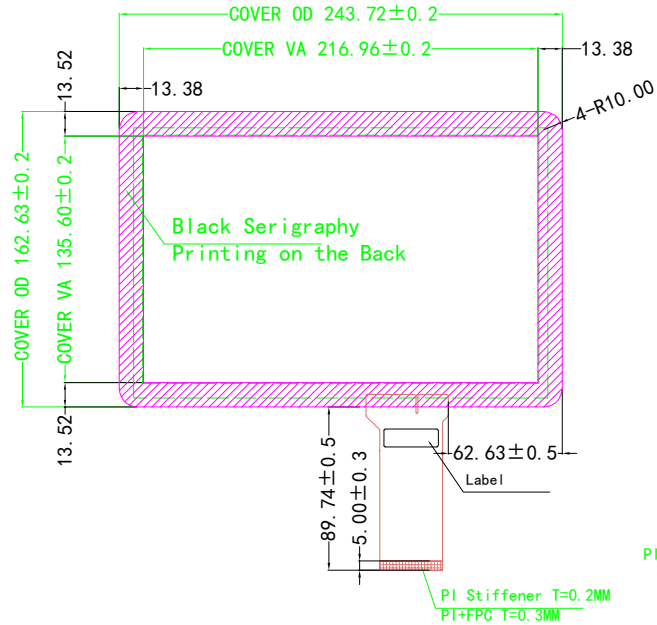
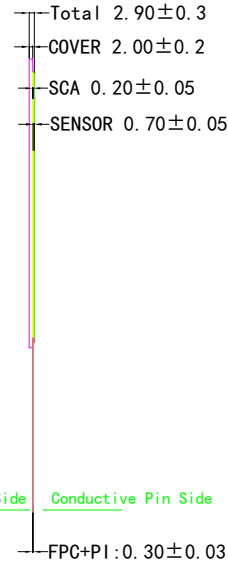


NO.	Rev.	Revision Record	Name	Date
△	A0	首次发行	H	2022-07-18
△	A1	更改为威达方案	H	2022-07-20

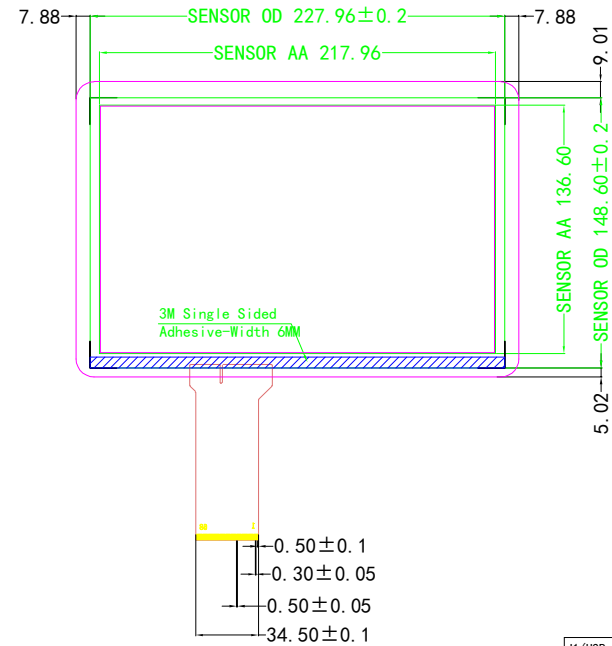
Front View



Side View

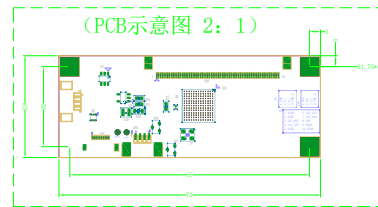


Side View



Technical Specifications:

1. TP Structure: G+G;
2. TP Type: COB; Operating Voltage: 5V;  
IC Option: EXC80W46
3. Transparency:  $\geq 85\%$
4. Surface Hardness: 6H以上
5. Operating Environment:  $-20^{\circ}\text{C} \sim +70^{\circ}\text{C}$ ,  $\leq 85\% \text{RH}$
6. Storage Environment:  $-20^{\circ}\text{C} \sim +70^{\circ}\text{C}$ ,  $\leq 85\% \text{RH}$
7. Unmarked Tolerance  $\pm 0.2\text{mm}$
8. RoHS Compliant



An USB PCB Board Is Assigned to Each TP

J1 (USB Communication)	
PIN	Assignment
1	VDD/5V
2	D-
3	D+
4	GND

MAXEN ELECTRONICS LIMITED

TITLE: 产品编号	HCT1010ERH-3A-A1	结构图		
Designed By: 设计	H	Customerid: 客户编号		View: 投影方式
Checked By: 审核		Unit: 单位	mm	
Approved By:		Date: 日期	2022-07-20	Scale: 比例
				1:1