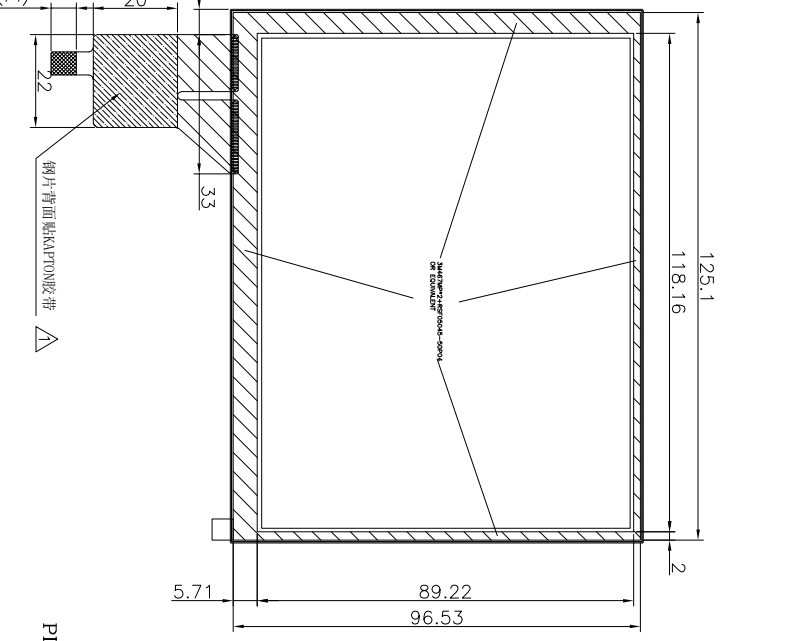
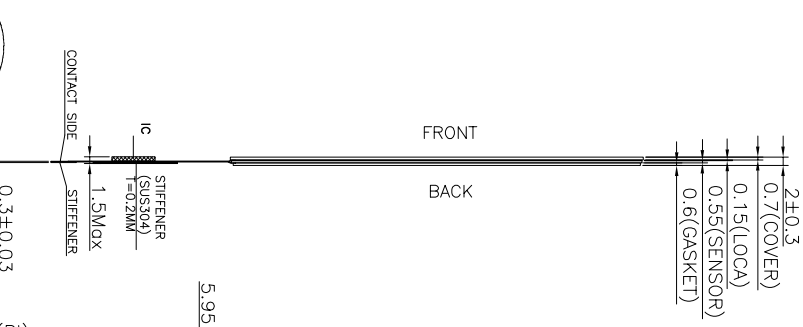
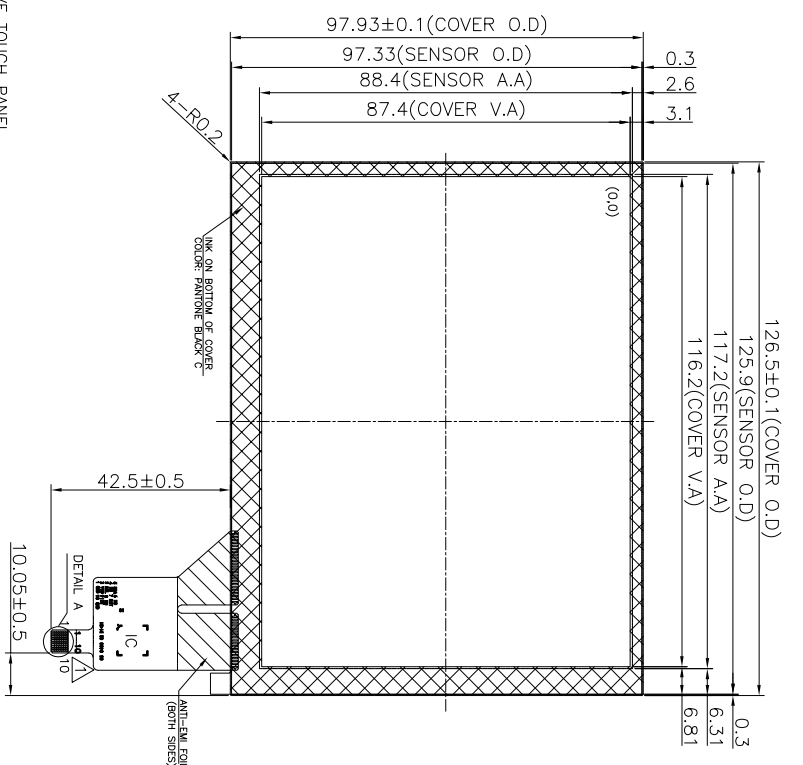


Front view

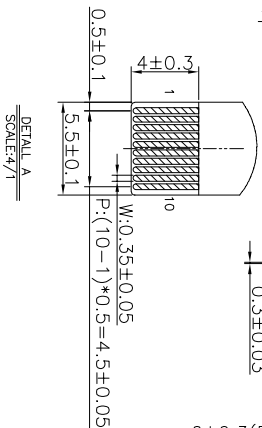
Side view

Back view



NOTES:

1. 5.7" PROJECTIVE CAPACITIVE TOUCH PANEL.
2. OPERATING VOLTAGE: VDD=10VDD=3.3V.
3. COVER GLASS + SENSOR GLASS + FPCA.
4. RESOLUTION: 640 X 480 DOTS.
5. IC DRIVER: FT5426-003 (SMT). I²C INTERFACE.
6. MULTI FINGER: UP TO 5.
7. HARDNESS OF COVER SURFACE: 7H(750g).
8. TRANSMITTANCE: >=85%.
9. ELECTRODES: 22 X 16.
10. UV GLUE AROUND CHIP PINS.
11. GROUNDING LAYERS ON BOTH SIDES OF FPC.
12. ITO PATTERN ON BOTH SIDES CAN NOT BE VISIBLE AT HIGH BRIGHTNESS.
13. 0.6MM THICKNESS OF TINY COMPRESSIBLE GASKET.
14. PROTECTIVE CIRCUITS AT INPUT SIGNALS LINES.
15. GENERAL TOLERANCE: ±0.2MM.
16. ROHS COMPLIANT.
17. Firmware:MI0570C6P-C2_Firmware_V02_20170613_all.bin



PIN DESCRIPTION

Pin	Symbol	Description
1	VSS	VSS
2	VCC	VCC
3	SCL	SCL
4	NC	NC
5	SDA	SDA
6	NC	NC
7	/RST	/RST
8	NC	NC
9	/INT	/INT
10	VSS	VSS

00	First issue	ZH	20201130A	CUSTOMER'S APPROVAL	
VER.	SYMBOL	AMENDMENT	SIGN	DATE	
DRAWN					TITLE
M.E. CHECKED					MODULE SPEC.
E.E. CHECKED					
APPROVED					
DRAWING NO.					HCT-CG570GF2-01
UNIT					
3rd Angle					
SCALE					SHEET 1 OF 1
MAXEN ELECTRONICS LIMITED					