

NOTES:

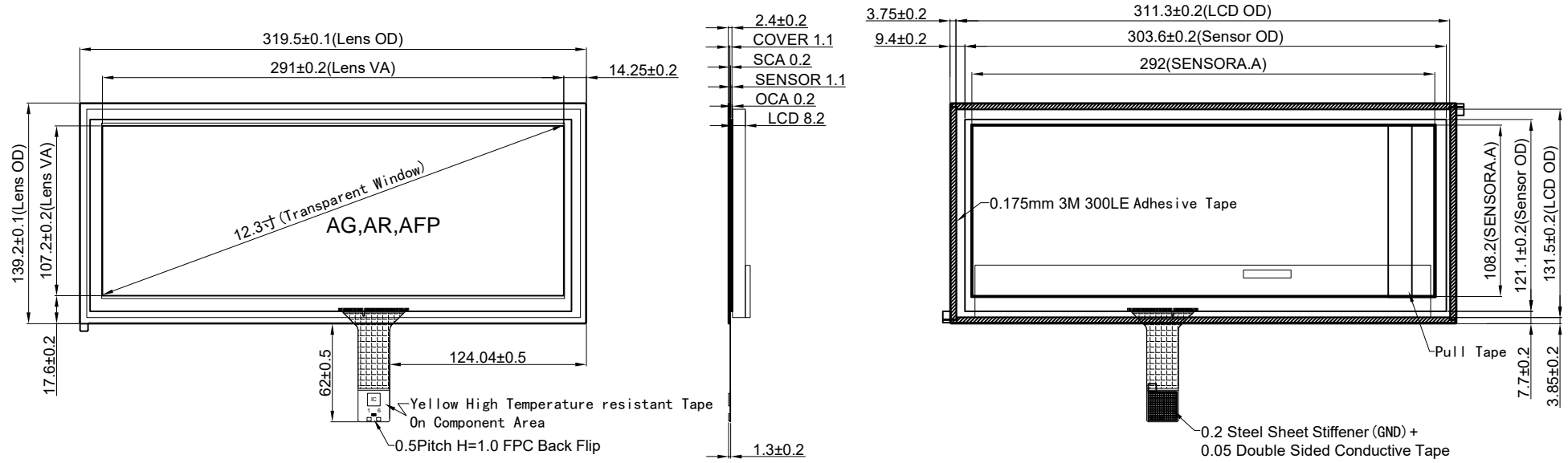
1. ALL MATERIALS AND COMPONENTS MUST BE RoHS COMPLIANT.

Rev	Date	Content	Approved
V1	2021-10-31	新图纸	CHEN

Front View

Side View

Back View



技术参数 Technical Parameters:

1. 产品结构 Product Structure:

COVER GLASS +ITO GLASS+FPC

2. 表面硬度 (Surface Hardness): ≥6H

3. 透光率 (Transmittance): ≥85%

4. 通道数 (Channel Number): GT928(TX32*RX14)

5. 工作环境 (Operating Environment): -40°C~+80°C, ≤90%RH

6. 储存环境 (Storage Environment): -40°C~+85°C, ≤90%RH

TP Pin Assignment

Pin	Name
1	RST
2	VDD
3	GND
4	INT
5	SDA
6	SCL

Unit:	mm	SIZE:	A4		MAXEN ELECTRONICS LIMITED	
Tolerances:	±0.2		Page :			1 of 1
Confirm By:		Date:				Product NO:
Checked By:		Date:		Drawing NO:	COG-VLBJT075-01-F1231B	
Drawn By:	CHEN	Date:		Customer Product NO:		

If You Have Any Question, Please Contact With Us / Please Confirm This Drawing On/Before

1

2

3

4

5

6

7